

1

2

3

4

5

6

A

A

B

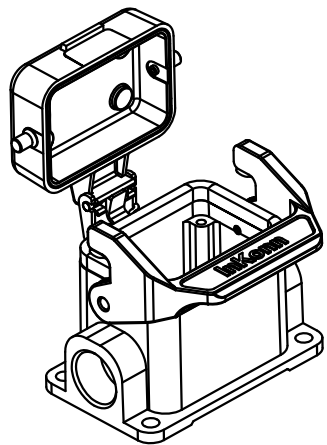
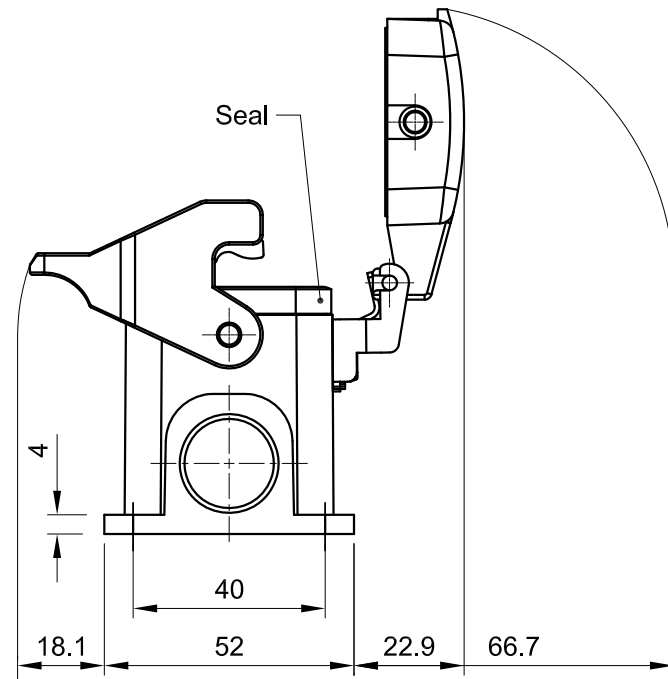
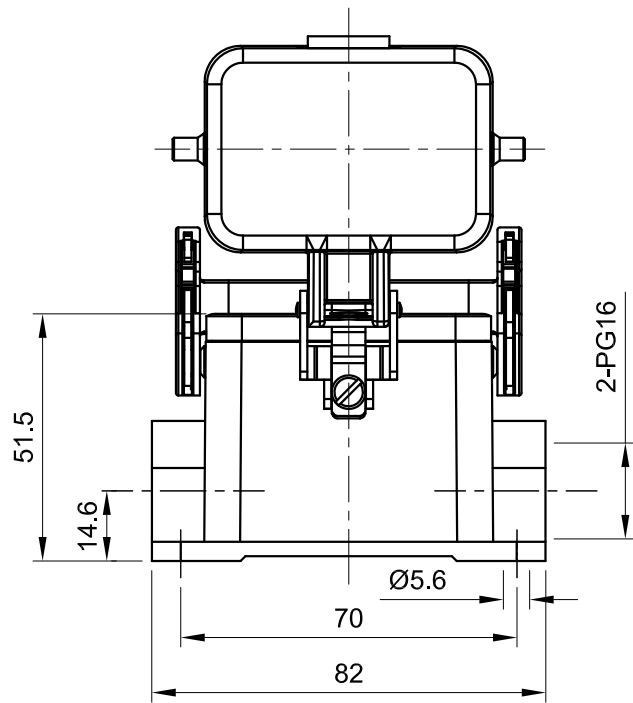
B



C

C

D

D



|                                                                                                                                    |                                                                                                                                               |                            |                           |                        |
|------------------------------------------------------------------------------------------------------------------------------------|-----------------------------------------------------------------------------------------------------------------------------------------------|----------------------------|---------------------------|------------------------|
|  All Dimensions in mm<br>Original Size DIN A4 | Date<br>2019-12-1                                                                                                                             | Drawing No.<br>TC6289805   | Rev.<br>A00               | Scale<br>1:1.5         |
|                                                                                                                                    |  InKonn®<br>InKonn (Suzhou) Electric Technology Co.,Ltd. | Part No.<br>10 11 806 0655 | Created by<br>Shuxu Huang | Checked by<br>Yiyi Luo |
| Type Name<br>HB6-SM-MC-SL-2PG16                                                                                                    |                                                                                                                                               |                            |                           |                        |

1

2

3

4

5

6